

THE *WORKHORSE* FASTRACK TRUCK

WORKHORSE TRUCKS

BAKERY

CONTRACTORS

LAUNDRY

NEWSPAPER

PACKAGE DELIVERY

SNACK FOOD

UTILITY

DISCOUNT

INSIDE THE BOX THINK



FasTrack is a special Workhorse program designed to make walk-in trucks quickly available through dealer inventory for most customer needs. Workhorse is the only company to offer complete, ready-to-drive walk-in trucks that are stocked by local dealers and available for quick delivery. We've combined our most popular features into five basic FasTrack models with loadspace lengths from 10 ft. 6 in. to 18 ft. See your participating dealer for details.



Body By UCBC
A GVM Holdings Company

The Professional's Truck.



THE WORKHORSE FASTRACK TRUCK

The Workhorse FasTrack program is the result of our extensive experience with walk-in trucks, and it's an easy way for you to order work ready trucks with pre-engineered and proven specs. We've done our homework and in these pages you'll find the most popular body and chassis specs combined into five truck models. On the back you will find a list of options to customize the truck to your unique needs. Select those items that best suite your application and then give us a call at 866-467-7300 to order.

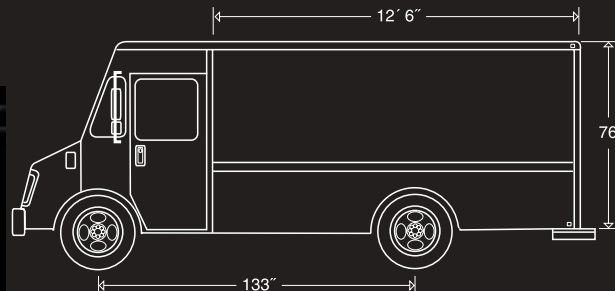




FT1261 Standard Features

CHASSIS

Wheelbase - 133 in.
 Engine - GM Vortec™ 5.7 Liter V8
 Emissions: FE9 Federal
 Dual Rear Wheels
 Transmission - 4 Speed Automatic,
 Electronic with Overdrive
 Independent Front Suspension
 Power Front Disc Brakes
 Tilt Steering Wheel
 Power Steering
 4-Wheel ABS Brakes
 Wheels/Tires:
 10,000 lb. GVWR: LT215/85 R16D HWY BW
 12,000 lb. GVWR: 8.00 R19.5E SBR HWY
 Chrome Wheel Covers
 Daytime Running Lights
 Clean Power Provisions



BODY

Loadspace Length - 12 ft. 6 in.
 Body Height - 76 in.
 Body Width - 77.5 in. Inside
 Lowered Stepwells
 Dupont® Imron® White Exterior Paint
 Sliding Window RH Side and LH Side
 38 in. Swing Open Rear Doors
 Magnum 400 Driver's Seat
 AM/FM Stereo Radio with CD
 Cup Holder
 Document Holder
 Three 12 Volt Auxiliary Outlets

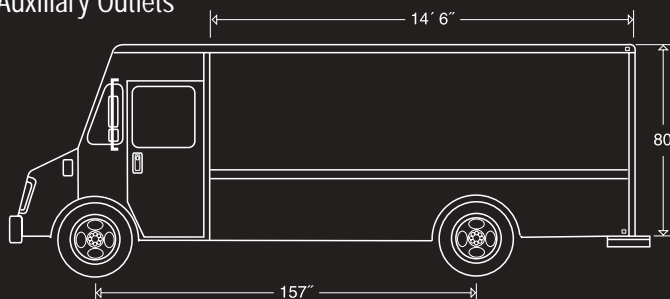
FT1461 Standard Features

CHASSIS

Wheelbase - 157 in.
 Engine - GM Vortec™ 5.7 Liter V8
 Emissions: FE9 Federal
 Dual Rear Wheels
 Transmission - 4 Speed Automatic,
 Electronic with Overdrive
 Independent Front Suspension
 Power Front Disc Brakes
 Tilt Steering Wheel
 Power Steering
 4-Wheel ABS Brakes
 Wheels/Tires:
 10,000 lb. GVWR: LT215/85 R16D HWY BW
 12,000 lb. GVWR: 8.00 R19.5E SBR HWY
 Chrome Wheel Covers
 Daytime Running Lights
 Clean Power Provisions

BODY

Loadspace Length - 14 ft. 6 in.
 Body Height - 80 in.
 Body Width - 86.6 in. Inside
 Lowered Stepwells
 Dupont® Imron® White Exterior Paint
 Sliding Window RH Side and LH Side
 38 in. Swing Open Rear Doors
 Magnum 400 Driver's Seat
 AM/FM Stereo Radio with CD
 Cup Holder
 Document Holder
 Three 12 Volt Auxiliary Outlets





FT1601 Standard Features

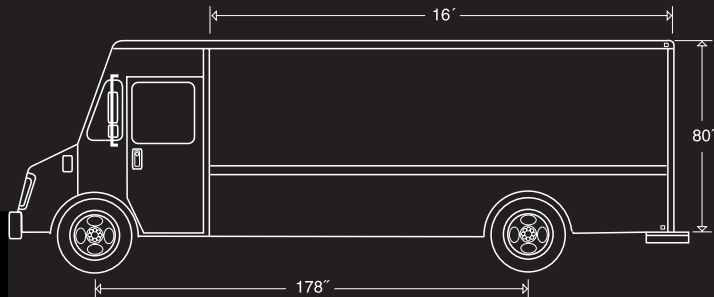
CHASSIS

Wheelbase - 178 in.
 Engine - GM Vortec™ 5.7 Liter V8
 Emissions: FE9 Federal
 Dual Rear Wheels
 Transmission - 4 Speed Automatic,
 Electronic with Overdrive
 Independent Front Suspension
 Power Front Disc Brakes
 Tilt Steering Wheel
 Power Steering
 4-Wheel ABS Brakes

Wheels/Tires:

10,000 lb. GVWR: LT215/85 R16D HWY BW
 14,100 lb. GVWR: 8.00 R19.5E SBR HWY

Chrome Wheel Covers
 Daytime Running Lights
 Clean Power Provisions



BODY

Loadspace Length - 16 ft.
 Body Height - 80 in.
 Body Width - 86.6 in. Inside
 Lowered Stepwells
 Dupont® Imron® White Exterior Paint
 Sliding Window RH Side and LH Side
 38 in. Swing Open Rear Doors
 Magnum 400 Driver's Seat
 AM/FM Stereo Radio with CD
 Cup Holder
 Document Holder
 Three 12 Volt Auxiliary Outlets

FT1801 Standard Features

CHASSIS

Wheelbase - 178 in.
 Engine - GM Vortec™ 5.7 Liter V8
 Emissions: FE9 Federal
 Dual Rear Wheels
 Transmission - 4 Speed Automatic,
 Electronic with Overdrive
 I-Beam Front Axle
 Power Front Disc Brakes
 Tilt Steering Wheel
 Power Steering
 4-Wheel ABS Brakes

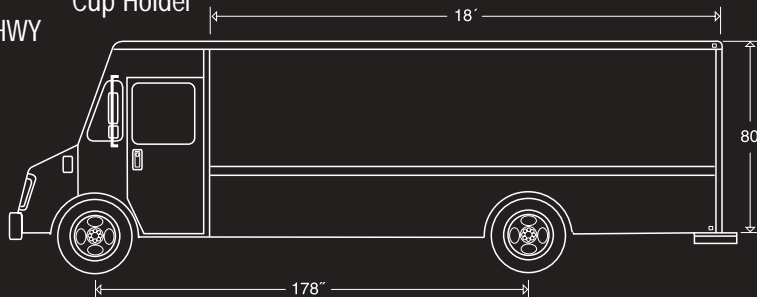
Wheels/Tires:

14,100 lb. GVWR: 8.00 R19.5E SBR HWY

Chrome Wheel Covers
 Daytime Running Lights
 Clean Power Provisions

BODY

Loadspace Length - 18 ft.
 Body Height - 80 in.
 Body Width - 86.6 in. Inside
 Lowered Stepwells
 Dupont® Imron® White Exterior Paint
 Sliding Window RH Side and LH Side
 38 in. Swing Open Rear Doors
 Magnum 400 Driver's Seat
 AM/FM Stereo Radio with CD
 Three 12 Volt Auxiliary Outlets
 Document Holder
 Cup Holder



THE WORKHORSE FASTRACK TRUCK



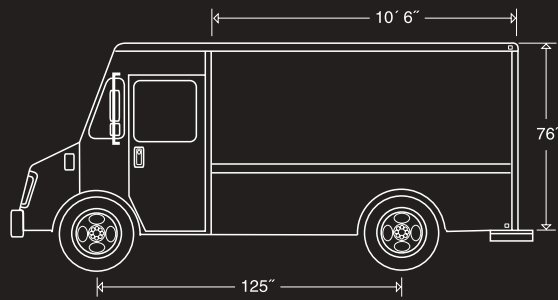
THE WORKHORSE FASTTRACK TRUCK



FT1061 Standard Features

CHASSIS

Wheelbase - 125 in.
Engine - GM Vortec™ 5.7 Liter V8
Emissions: FE9 Federal
Dual Rear Wheels
Transmission - 4 Speed Automatic,
Electronic with Overdrive
Independent Front Suspension
Power Front Disc Brakes
Tilt Steering Wheel
Power Steering
4-Wheel ABS Brakes
Wheels/Tires:
9,400 lb. GVWR: LT245/75 R16E ALS BW
Chrome Wheel Covers
Daytime Running Lights
Clean Power Provisions



BODY

Loadspace Length - 10 ft. 6 in.
Body Height - 76 in.
Body Width - 77.5 in. Inside
Lowered Stepwells
Dupont® Imron® White Exterior Paint
Sliding Window RH Side and LH Side
38 in. Swing Open Rear Doors
Magnum 400 Driver's Seat
AM/FM Stereo Radio with CD
Cup Holder
Document Holder
Three 12 Volt Auxiliary Outlets



THE QUICKSPEX ORDERING PROGRAM

STANDARD FASTRACK TRUCK

All FasTrack models feature: V8 engine and automatic transmission, power front disc brakes, power steering, 4-wheel ABS brakes, all aluminum body, full lift-up front end, one-piece fiberglass roof, extruded aluminum plank floor, lowered

stepwells, large windshield, white exterior paint, sliding driver's side and passenger side doors, and chrome wheel covers.

Model Preference (Select one only)	GVWR Preference	WHEELBASE
<input type="checkbox"/> FT1061 - 10' 6" model (76" H x 77.5" W)	9,400 lbs.	125"
<input type="checkbox"/> FT1261 - 12' 6" model (76" H x 77.5" W)	10,000 lbs.	133"
<input type="checkbox"/> FT1261 - 12' 6" model (76" H x 77.5" W)	12,000 lbs.	133"
<input type="checkbox"/> FT1461 - 14' 6" model (80" H x 86.6" W)	10,000 lbs.	157"
<input type="checkbox"/> FT1461 - 14' 6" model (80" H x 86.6" W)	14,100 lbs.	157"
<input type="checkbox"/> FT1601 - 16' model (80" H x 86.6" W)	10,000 lbs.	157"
<input type="checkbox"/> FT1601 - 16' model (80" H x 86.6" W)	14,100 lbs.	157"
<input type="checkbox"/> FT1601 - 16' model (80" H x 86.6" W)	14,100 lbs.	178"
<input type="checkbox"/> FT1801 - 18' model (80" H x 86.6" W)	10,000 lbs.	178"
<input type="checkbox"/> FT1801 - 18' model (80" H x 86.6" W)	14,100 lbs.	178"

FASTRACK TRUCK OPTIONS (SELECT ITEMS BY CHECKING BOXES)

Seat Option

- Passenger seat (flip-up jump seat, requires aluminum partition)

Paint Options

- No paint
- Customer specified colors

Partition Options

- Aluminum partition with center sliding door with filler panel
- 3/4 in. plywood with center sliding door with filler panel

Rear Door Options

- 60" swinging rear doors
- 74" swinging rear doors (not available on FT1061, FT1261)
- 60" roll-up rear door
- 74" roll-up rear door (not available on FT1061, FT1261)

Chassis Options

- Air conditioning (partition is required)
- 6.5L V8 diesel (GEP) (Not available on 10' 6")
 - 160 hp @ 3,400 rpm
 - 290 ft.-lb. @ 1,700 rpm
- GM Vortec 6.0L 366 CID V8 (Not available below 12,000 lb. GVWR)
 - 300 hp @ 4,800 rpm
 - 355 ft.-lb. @ 4,000 rpm
- California emissions (Requires 6.0L V8 gas)

Warranty	3-Year/36,000 Miles
Chassis	Exclusive 3-Year/36,000 Miles
Diesel Engine	5-Year/100,000 Miles
Roadside Assistance	24-Hour Roadside Assistance
Technical Assistance	In-House Support Program
Body Components	3-Year/36,000 Miles
Structure	5-Year/50,000 Miles
Paint	12-Month/12,000 Miles Exterior Paint Warranty

Dealer Imprint

G.M. Varnado & Sons, Inc
 7659 Airline Hwy
 Baton Rouge LA 70814
 (800) 924-5506 Toll Free
 (225) 924-5378 Local Phone
 (225) 924-5384

Engine availability based upon individual state emissions regulations.



Body By UCBC
 A GVW Holdings Company

The Professional's Truck.

All illustrations and specifications in this publication are based on the latest product information available at the time of content approval. The right is reserved to make changes at any time, without notice, in colors, materials, specifications and models, and also to discontinue models. Consult the Workhorse FasTrack owner's manual for more complete specifications and important safety and maintenance information.