

UD2000

2004 MODEL YEAR



Distributed by
Nissan Diesel America, Inc.

WHEELBASES	E	F	H	K	N
GVWR (lb.)	19,500	19,500	19,500	19,500	19,500
Chassis Weight (lb.)	7,045	7,125	7,180	7,235	7,390
Front (lb.)	4,700	4,745	4,780	4,800	4,890
Rear (lb.)	2,345	2,380	2,400	2,435	2,500
Gross Payload (lb.)*	12,455	12,375	12,320	12,265	12,110
Wheelbase (in.)** WB	148.4	166.5	178.3	190.2	216.5
Cab-to-Rear Axle (in.) CA	111.0	129.1	140.9	152.7	179.1
Rear Overhang (in.) RO	63.8	63.8	78.0	83.9	96.9
Overall Length (in.) OL	258.5	276.6	302.6	320.3	359.7
Typical Body Lengths (ft.)***	14/16	16/18	18/20	20/22	22/24
Turning Radius (ft.)	19.7	21.7	23.3	24.6	27.6



*UD2000 shown here with dealer installed optional equipment.

*Gross payload capacity equals GVWR minus chassis weight. Installation of specialized equipment or bodies may require frame reinforcement. **Wheelbase selection should be based on specific weight distribution. ***Typical body lengths assume water level load (no specific consideration for driver, passengers, or fuel) to maximize GVWR. Addition of ancillary equipment such as lift gates and refrigeration units not considered in calculations.

ENGINE

	Nissan Diesel FE6TA - 24 Valve Turbo/Intercooled Diesel In-line 6 cylinder, Direct-injection
Horsepower	225 hp @ 2,600 rpm
Torque w/Manual Trans.	492 lb. ft. @ 1,600 rpm
Torque w/Auto. Trans.	470 lb. ft. @ 1,600 rpm
Displacement	423 in. ³ (6.9 L)
Cylinder Liner	Dry, replaceable
Air Compressor	10 CFM @ 2,500 engine rpm (1,250 compressor rpm)
Fuel Injection	BOSCH/ZEXEL, MD-TICS injection pump with all-speed governor
Air Cleaner	13 in., dry type
Cold Starting Aid	Automatic electric intake air heater
Fan	Viscous type drive

FRONT AXLE

GAWR	7,275 lb.
Rated Axle Capacity	8,150 lb.
Axle Type	"I" Beam
Suspension	Semi-elliptic leaf springs
Shock Absorbers	Telescopic type

TRANSMISSION

	STD	OPTION
	Nissan Diesel, MLS61B	Allison, LCT1000
	Manual, 6 forward speeds & 1 reverse synchronesh on 2nd through 6th gears	Automatic 5 forward speeds & 1 reverse
Ratios		
1st	6.72	3.10
2nd	4.03	1.81
3rd	2.30	1.41
4th	1.44	1.00
5th	1.00	0.71
6th	0.74	—
Rev.	6.12	4.50
R/A Ratio	4.33 ^{STD}	4.56 ^{STD} - 4.88
rpm @ 65 mph	2,270	2,370* - 2,570*

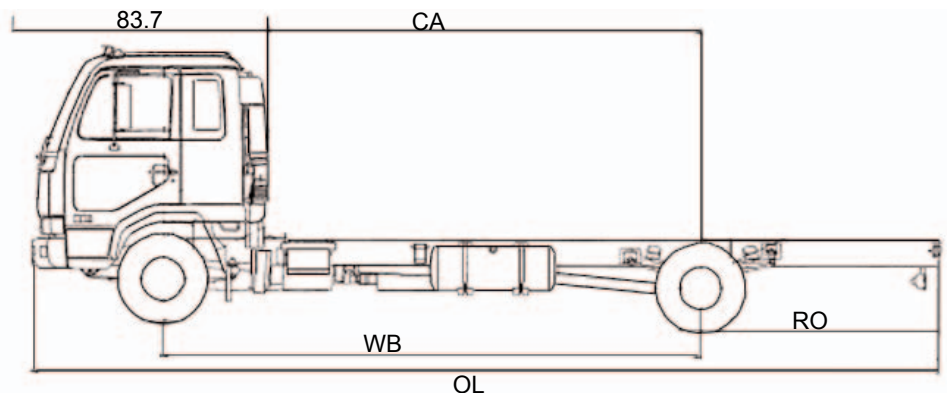
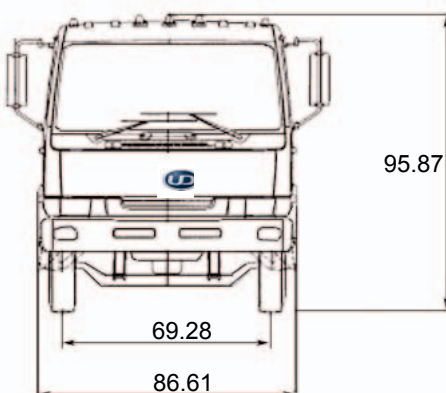
*Approximate engine rpm only. Allison will provide a performance scan by application on request.

CLUTCH

Hydraulic clutch with air assist
13.8 in. cerametallic friction material
Standard clutch wear indicator

STEERING

Integral power steering, gear driven pump
Steering Column Tilt & telescopic type



UD2000



TRUCKS

Distributed by
Nissan Diesel America, Inc.

REAR AXLE

GAWR 13,880 lb.
 Rated Axle Capacity 16,540 lb.
 Axle Type Full-floating banjo housing
 Suspension Semi-elliptic leaf springs with auxiliary springs

WHEELS & TIRES

Tires Front: Single, highway tread
 Rear: Dual, traction type
 215/75R17.5 - 14PR (tubeless radial)
 Wheels Steel disc type, 6 hole,
 6.00 x 17.5 in., offset 5.3 in.

BRAKE SYSTEM

Service Brakes Anti-lock Braking System
 Dual line, air-over-hydraulic brake system
 Internal expanding, two leading shoe,
 self-adjusting drum brakes
 Drum diameter x lining width x lining
 thickness: 12.60 x 4.33 x 0.47 in.
 Rear Internal expanding, dual two leading shoe,
 self-adjusting drum brakes
 Drum diameter x lining width x lining
 thickness: 12.60 x 5.31 x 0.47 in.
 Air Tanks Supply: 641 in.³
 Front service: 549 in.³
 Rear service: 641 in.³
 Total: 1,831 in.³
 Air Dryer Standard
 Parking Brake Hand brake lever activating drum at
 rear of transmission

EXHAUST BRAKE

Electrically controlled, pneumatically
activated butterfly valve in exhaust pipe

CHASSIS FRAME

Ladder type, channel section side rails

Wheelbases	E, F, H, K		N	Hi Tensile Option
	E, F, H, K			E, F, H, K
Dimensions (in.) *	9.21 x 2.76 x 0.28	9.21 x 3.15 x 0.28		9.21 x 2.76 x 0.28
Assembled Width (in.)	33.9	33.9		33.9
Section Modulus (in. ³) **	18.3	20.2		18.3
Yield Strength (psi)	42,600	42,600		51,200
RBM (in.-lb.) chassis	780,000	860,000		937,000
per-rail	390,000	430,000		468,000

*Height x Flange Width x Thickness

**Measured at back-of-cab

FUEL TANK

Round fuel tank, mounted to left side
Capacity - 33 gallons

CAB

Forward control, steel welded construction,
tilting cab. Cab suspension with hydraulic
shock absorbers

Cab Glass Windshield, tinted laminated, 2,314 in.²
 Door Locks Driver & passenger, electric control
 Door Vent Window Driver, ventilating type
 Driver's Seat Height & seat back angle adjustable
 Cloth cover, high back type
 Passenger Seat Seat back angle adjustable
 Cloth cover, high back type
 Driver & passenger, 3-point ELR type
 West coast type, 6.0 x 15.1 in.
 Steering Column Tilt & telescopic type
 Sun Visors Driver & passenger
 Windows Driver & passenger, electric control
 Windshield Wipers Dual, electric-driven, intermittent & 2 speed

ELECTRICAL EQUIPMENT

Halogen headlights, 2 lamps
 Back-up lights
 Cigar lighter
 Clearance, identification & position lights
 Day-time running lights
 Interior and map light
 License light
 Side turn signal lights
 Stop/tail lights
 Turn signal/hazard lights

INSTRUMENTS

Meters & Gauges

Air pressure gauges
 Coolant temperature gauge
 Fuel gauge
 Speedometer, odometer & trip meter
 Tachometer

Warning & Indicator Lights & Buzzers

ABS warning light
 Air filter service light
 Air heater indicator light
 Alternator low charge warning light
 Cab lock warning light & buzzer
 Engine control system warning light
 Exhaust brake indicator light
 Hazard warning flasher
 High beam indicator light
 Low air pressure warning light & buzzer
 Low brake fluid level warning light
 & buzzer
 Low coolant level & overheating
 warning light & buzzer
 Low oil pressure warning light
 Parking brake indicator light
 Service brake warning light & buzzer
 Turn signal indicator lights
 Warning lights with burnt-out bulb
 check function
 Automatic Transmission:
 - Check warning light
 - Range inhibited warning light
 - High temperature fluid warning
 light & buzzer

OTHER OPTIONS

Air conditioner
 AM/FM stereo radio with CD
 Block heater
 Center console/ third seat
 Driver's suspension seat
 Hi tensile frame rails (Except for N
 wheelbase)
 Rear wheel parking brake

All illustrations, specifications and descriptions in this specification are based on the latest product information available at the time of this publication. The right is reserved to make changes in price, materials, equipment, design, specifications, diagrams and models, and to discontinue models of equipment at any time, without notice and without incurring any obligation whatsoever. For more information on additional options and accessories, contact NISSAN DIESEL AMERICA, INC.

Manufacturer:
NISSAN DIESEL MOTOR CO., LTD.
Tokyo, Japan

Distributor:
NISSAN DIESEL AMERICA, INC.
P.O. Box 152034
Irving, Texas 75015-2034
www.nissandiesel.com